

# Unigrout M10 S

The compact grouting rig with smart connectivity and excellent performance



# The world's smallest smart grouting rig

The standard configuration of Unigrout M10 S provides everything you need for efficient and precise grouting operations. However, the machine is designed for seamless upgrades, allowing you to enhance both functionality and data integration with Underground Manager 2.0. A range of smart options further optimize performance, ease of use and ensure reliable grouting.

## ⊕ Main benefits

**Improved user-friendliness** thanks to a redesigned and ergonomic machine layout with intuitive touch screen controls

**Improved accuracy and efficiency** with new, productivity-boosting options

**Exceptional performance** enabled by a state-of-the-art mixer and pump, as featured on premium Unigrout rigs

Decreased size of hydraulic tank

180° adjustable touch screen with RCS 5 control system

Smaller and lighter platform compared to previous model

Platform includes fork lift cutouts and lifting lugs



All operations of the Unigrout M10 S is controlled from an easily accessible touch screen.



The dosage pump for hardener and the water hose reel are optional equipment, bolted directly on the platform for easy access.



Optional dual outlets with independent flow meters and three-stage valves means improved ease-of-use.



Weight measuring system as standard

Easy accessible feeder for manual loading (option)

# A complete and optimized grouting solution

The Unigrout M10 S is designed with ergonomics, efficiency, and versatility in mind. Featuring a well-proven mixer and the powerful double-acting Pumpac grout pump, it ensures reliable performance across various pressure ranges and material mixes. With smart design enhancements for improved user comfort and maintenance, daily operation is smoother than ever.



## + Designed for ergonomics and easy maintenance

With user comfort and serviceability in focus, this rig features an optional water reel for effortless cleaning, an included tool for easy grouting pump disassembly, and an optimized hydraulics layout for more accessible adjustments and maintenance. Additionally, it includes a newly designed drainage plug for tool-free mixer handling, an adjustable touchscreen, a hydraulic lever for controlled grout discharge, and a simplified hose system with a single valve per grouting hose.



## + Well-known mechanics

The Unigrout M10 S rig features its well-known mixer design as well as the double acting Pumpac grout pump. These components constitute the heart in grouting to ensure state of the art functionality and optimal results. Covering low to high pressure ranges, Unigrout M10 S can be used with a variety of materials and mix designs.



## + Packers and accessories

Packers are a crucial part of a total grouting solution. They are widely used for grouting works as well as for water tests. We offer a wide range of packers along with the necessary accessories.



## A comprehensive service offering

Even the best equipment needs to be serviced regularly to make sure it sustains peak performance. An Epiroc service solution offers peace of mind, maximizing availability and performance throughout the lifetime of your equipment. We focus on safety, productivity and reliability.

By combining genuine parts and an Epiroc service from our certified technicians, we safeguard your productivity – wherever you are.

## Unigrout selection guide

Your choice of Unigrout system depends primarily on three main selection criteria: the grouting type/application, the grouting capacity required and the degree of recording that you need for your operation.

### Grouting type/application

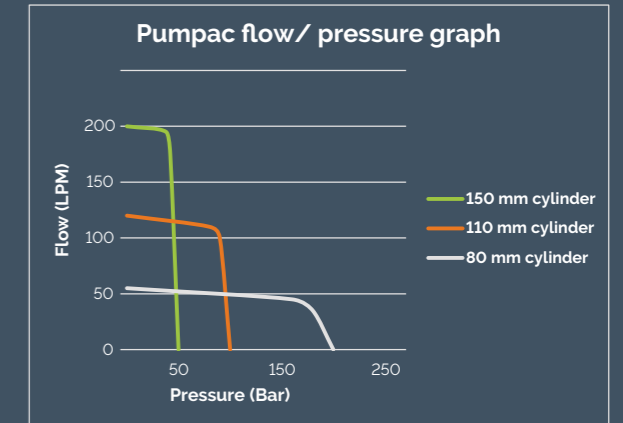
Your selection is influenced mainly by the type of grouting to be performed and by the size of the work place.

### Grouting capacity

Pumping capacity is often understood as grouting capacity, but in reality these can differ substantially. Actual grouting capacity always depends on the availability of grout and this is determined by the mixing capacity. For short-time and non-continuous grouting, there are ways to increase the actual capacity, but for continuous injection, mixing capacity is the key. Continuous mixing capacity is the result of several factors such as type and size of mixer, grout mix design, supply of water and cement, and last but not least, whether manual or automated batching/feeding is used.

### Recording

The Unigrout M10 S gives you the same grouting performance as our bigger units. When recording of the grout result is needed, the control system of Unigrout M10 S can be upgraded with new software features.



		Pressure max. bar	Flow max. l/min	Cylinder Ø mm
HP High Pressure	HP1	200	50	80
	HP2	100	100	110
LP Low Pressure	LP1	100	100	110
	LP2	50	200	150

## Why grouting? - Minimize risk

Grouting is an engineering method used globally for the treatment of ground and structures in order to achieve the required characteristics. In many cases, it all comes down to risk management and avoiding disastrous accidents or hazards in mining and civil engineering projects, whether in construction or in operation.

### Sealing

Water is a crucial resource that needs protecting. On the other hand, water may cause risk and difficulty in mining and construction operations. Grouting reduces permeability, which minimizes the impact of excavation on the ground water, while reducing risk and de-watering costs during construction and operation. Whether it's about sealing the rock mass around a tunnel or underground structure (e.g. pre-grouting), beneath a dam (e.g. curtain grouting) or in a mine. This type of grouting is generally most extensive and demanding.

### Strengthening/stabilizing

Natural ground conditions do not always meet the full construction specification. Among other methods, grouting is applied to improve ground characteristics. In almost any civil works – tunneling, roads, dam construction, foundations and mining – there is a need to improve the rock or soil using e.g. consolidation grouting.

### Filling

Sometimes grouting is used to fill a hole, gap or similar. In this category, common applications include bolting/anchoring, contact grouting/backfilling, piling or micro-piling, cavity grouting, etc.

# Technical specifications

● - Standard ○ - Option

## Mixer

200 l tank volume (Cemix 203H)	●
1800 rpm rotation speed	●

## Power unit

22 kW installed power	●
380-690 V voltage	○
1 000 V voltage	○
Soft start 400-460 V voltage	○
50/60 Hz frequency	●

## Agitator

400 l tank volume (Cemag 403H)	●
60 rpm rotation speed	●

## Electrical control system

RCS 5 base system	●
RCS 5 for single grouting hose	○
RCS 5 for dual grouting hoses	○
Underground Manager 2.0 (Unigrout package)	○

## Grout pump

50 bar pressure, 200 l/min flow (Pumpac)	○
100 bar pressure, 100 l/min flow (Pumpac)	○
200 bar pressure, 50 l/min flow (Pumpac)	○

## Water dosing system

Digital weight measuring	●
--------------------------	---

## Weight

Unigrout M10 S base unit	1135 kg
--------------------------	---------

## Additional equipment

Additive dosing pump (RCS 5 software required)	○
Silo with feeder	○
Water hose reel for cleaning	○
Adjustable working light	○
WiFi connectivity	○

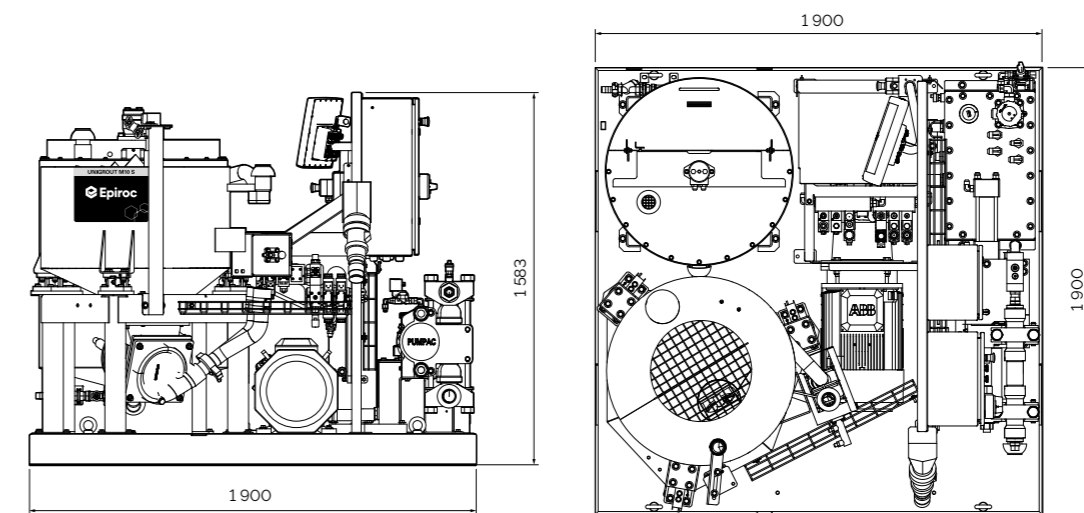
## Sound and vibrations

Unigrout M10 S	83 dB(A)
----------------	----------



# Technical specifications

Measurements in millimeters



Illustrations show Unigrout M10 S top view and side view base model.

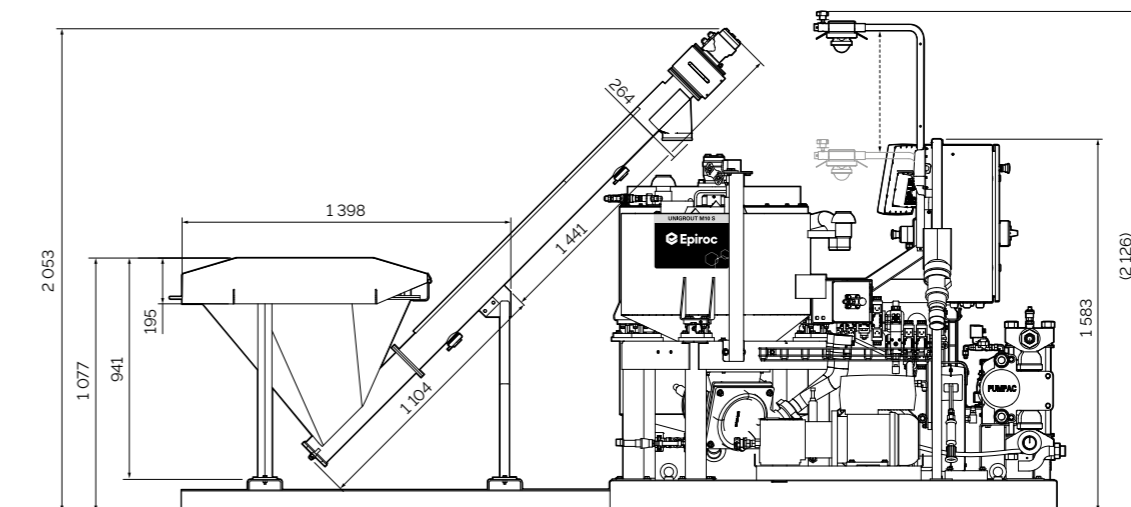


Illustration shows Unigrout M10 S side view with optional equipment.

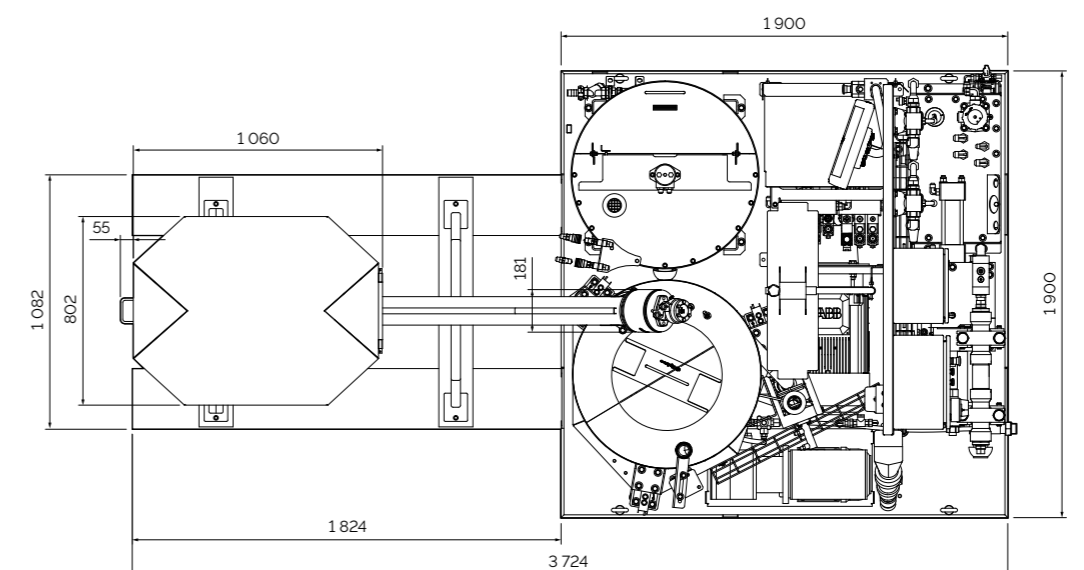


Illustration shows Unigrout M10 S top view with optional equipment.

# United in performance. Inspired by innovation.

Performance unites us, innovation inspires us, and commitment drives us to keep moving forward. Count on Epiroc to deliver the solutions you need to succeed today and the technology to lead tomorrow.  
**[epiroc.com](https://epiroc.com)**

